

MAXILOAD **ET**

EXTRA TECHNOLOGY



MAXILOAD ET is an onboard, dynamic weighing system for wheel loaders, forklift trucks, articulated trucks and telescoping forklift trucks. This system for weighing in motion provides immediate and precise display of the weight of the material being handled, as well as other essential information about the load. **MAXILOAD ET** has a latest generation color display, and is compact and easy to use. This reliable and efficient system, which offers a prompt return on investment, will quickly optimize your operational productivity. The system is available with an option for printing load data on a compact printer installed in the cab.

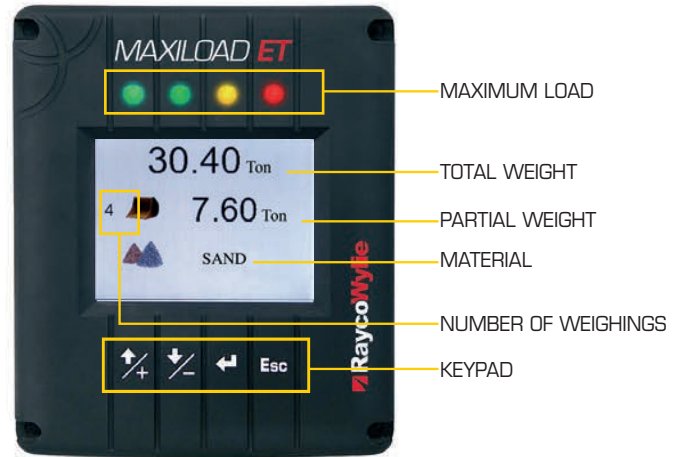
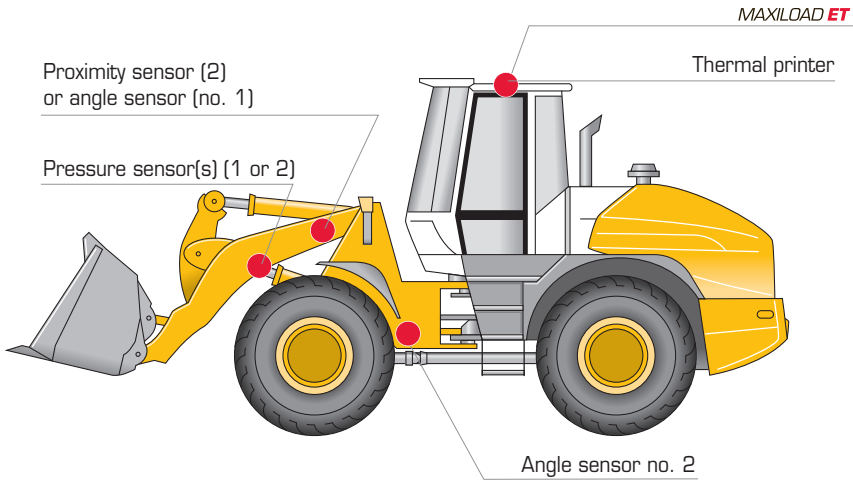
ADVANTAGES

- ✔ Dynamic weighing
- ✔ 3.5-inch color display with intuitive icons
- ✔ Reliable and sturdy
- ✔ Compact
- ✔ Easy to use
- ✔ Pre-wired connections for simple and quick installation
- ✔ Capability to precalibrate 2 accessories or machines
- ✔ Thermal printer (option)

FUNCTIONS

- ✔ Display of total load, partial weight, number of weighs, and type of material
- ✔ Function to reset total weight and partial weight to zero
- ✔ Tare function
- ✔ Maximum load function with tri-color light
- ✔ Temporary exclusion from weighing system
- ✔ Control of 10 different types of materials with record of accumulated totals
- ✔ Printing function for total weight, time and date, and job ticket
- ✔ Diagnostic function simplifies locating outages in case of problem
- ✔ Choice of 9 display languages

MAXILOAD ET ON WHEEL LOADERS



TECHNICAL SPECIFICATIONS

- ❑ Display size : 1.25 x 15 x 9 cm (4.9 x 5.9 x 3.6 in.)
- ❑ Display sealing : IP65
- ❑ Sensor sealing : IP67
- ❑ Supply voltage : 10 to 30 VDC
- ❑ Operating temperature : -20°C to 70°C (-4°F to 158°F)
- ❑ Serial port : RS-232/C + 1 auxiliary
- ❑ Precision : 0 to 1% with 2 pressure sensors
0 to 2% with 1 pressure sensor

OPTIONS

- ❑ Thermal printer (roll)



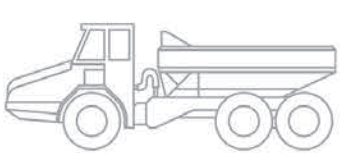
THERMAL PRINTER

RAYCOWYLIE		10:30 04-07-2013
04-07-2013	10:30	Ticket: 1
Ticket: 1		SAND 350.00
N. Loads: 3		GRAVEL 280.00
Material: SAND		COPPER 50.00
Total:		IRON 125.50
15,00 Ton		MATERIAL 05 0.00
9.375 m3		MATERIAL 06 0.00
		MATERIAL 07 0.00
		MATERIAL 08 0.00
		MATERIAL 09 0.00
		MATERIAL 10 0.00
		Total: 805.50 Ton

STD COUPON

TOTALS

MAXILOAD ET APPLICATIONS



PRECISION 0-3%



PRECISION 0-1%



PRECISION 0-1%

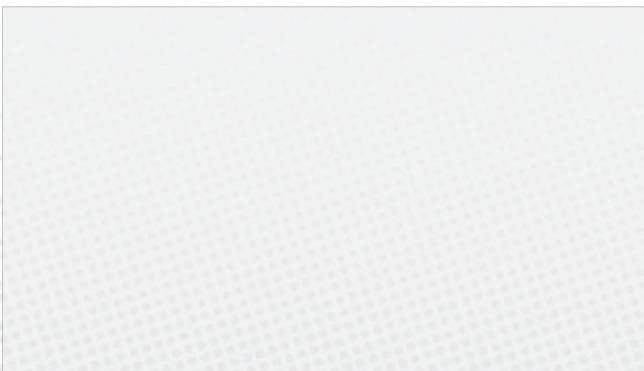


PRECISION 0-1%



PRECISION 0-1%

YOUR **MAXILOAD ET** REPRESENTATIVE



SYSCOMAK
TECHNOLOGIES INC.

a division of

RaycoWylie
SYSTEMS

Tel. : 450-492-4952
Toll-free : 1-888-694-0802